

HOT WATER DISPENSER

HWB 2100 Series

HWB-2110 Touchscreen

10 Gallon



The **HWB-2100** series combines the simplicity of a traditional style pull faucet with the modern convenience of a touchscreen interface. The touchscreen allows for easy access to temperature controls, dispense metrics and diagnostics while the simple screen layout makes it easy for staff to understand and operate.



Touchscreen interface for easy access to temperature controls, metrics and diagnostic screens.



Exclusive FETCO HWB Pull Faucet Design with soft silicone tap helps protect glass and ceramic serveware against damage.



The interior top and sides of the unit are fully insulated to maximize heat retention and improve efficiency.



Mixed material construction is durable for the rigors of back-of-house yet attractive enough for front-of-house.

FETCO[®]
TRUSTED | RELIABLE | QUALITY

Water Specification

Water Inlet 3/8 inch male flare fitting	Minimum Flow Rate 1 1/2 gpm [5.7 lpm]	Water Pressure 20-75 psig [138-517 kPa]
--	--	--

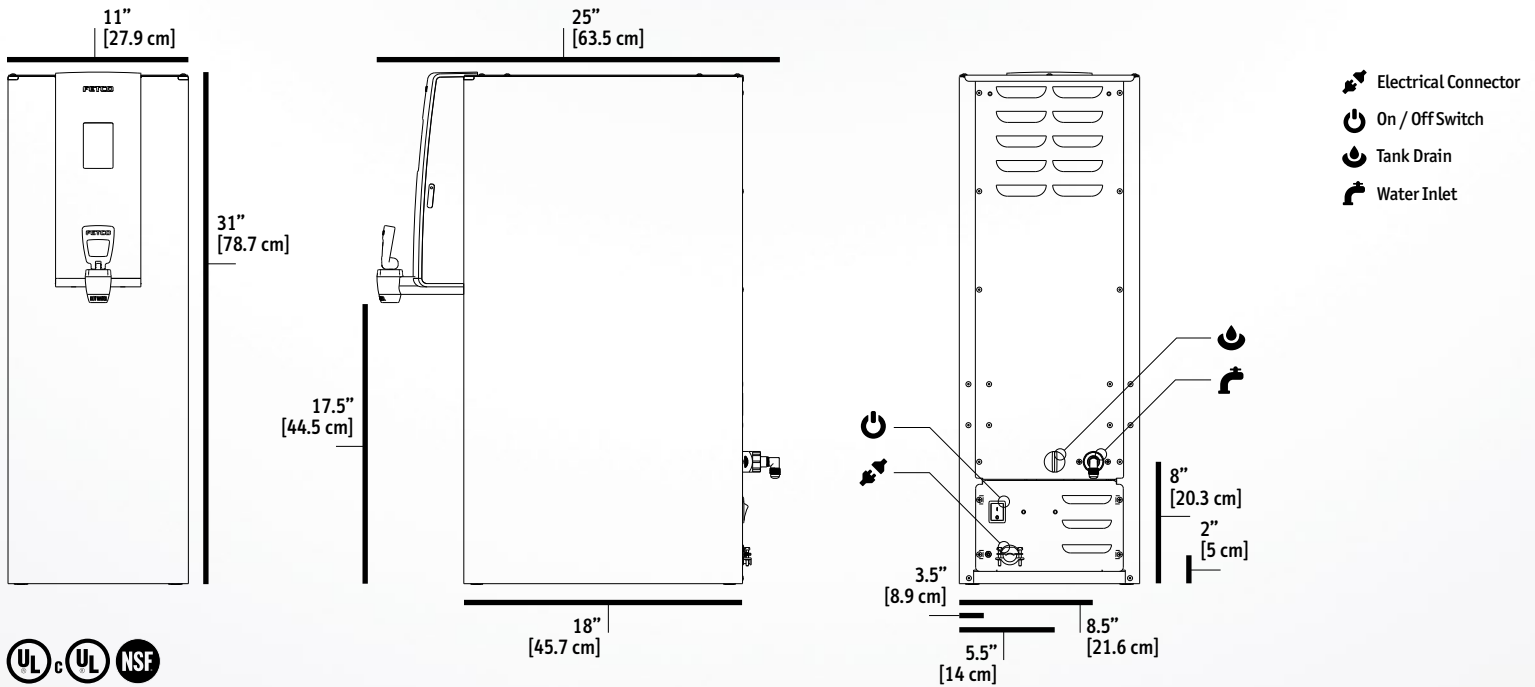
Electrical Configuration

Configuration Code	Heater Configuration	Voltage	Phase	Wires	KW	Electrical Connection	Max Amp Draw	Gallon[Liter]/Hour
US & CANADA								
B211051	2 x 3.0 kW	208-240	1	2+G	6.1	Terminal Block	25.4	11.0-15.0 [41.6-56.7] ⁽¹⁾
B211052	2 x 4.0 kW	208-240	1	2+G	8.1	Terminal Block	33.8	11.0-15.0 [41.6-56.7] ⁽¹⁾
INTERNATIONAL								
B211061	2 x 3.0 kW	230/400	2	2L / N / PE	5.6	Terminal Block	12.4	13.0-15.0 [49.2-56.7] ⁽¹⁾
B211062	2 x 4.0 kW	230/400	2	2L / N / PE	7.8	Terminal Block	16.2	13.0-15.0 [49.2-56.7] ⁽¹⁾

(1) Based on standard factory settings: 200°F water.

Measurements

Height 31 1/2" [80.0 cm]	Width 11" [27.9 cm]	Depth 22 3/4" [56.5 cm]	Empty Weight 47 lbs [21.3 kg]	Filled Weight 92 lbs [41.7 kg]	Shipping Weight 59 lbs [26.8 kg]	Shipping Dimensions: 35" x 15" x 27" [89 x 38 x 69 cm]
-----------------------------	------------------------	----------------------------	----------------------------------	-----------------------------------	-------------------------------------	---



Cups per Hour*

8oz.	240	12oz.	160	16oz.	120	20oz.	96
------	-----	-------	-----	-------	-----	-------	----

* Approximate based on maximum power setting.

Information

fetco.com

800.338.2699 USA
847.719.3000

847.719.3001

Food Equipment Technologies Co.
600 Rose Road
Lake Zurich, IL 60047
USA